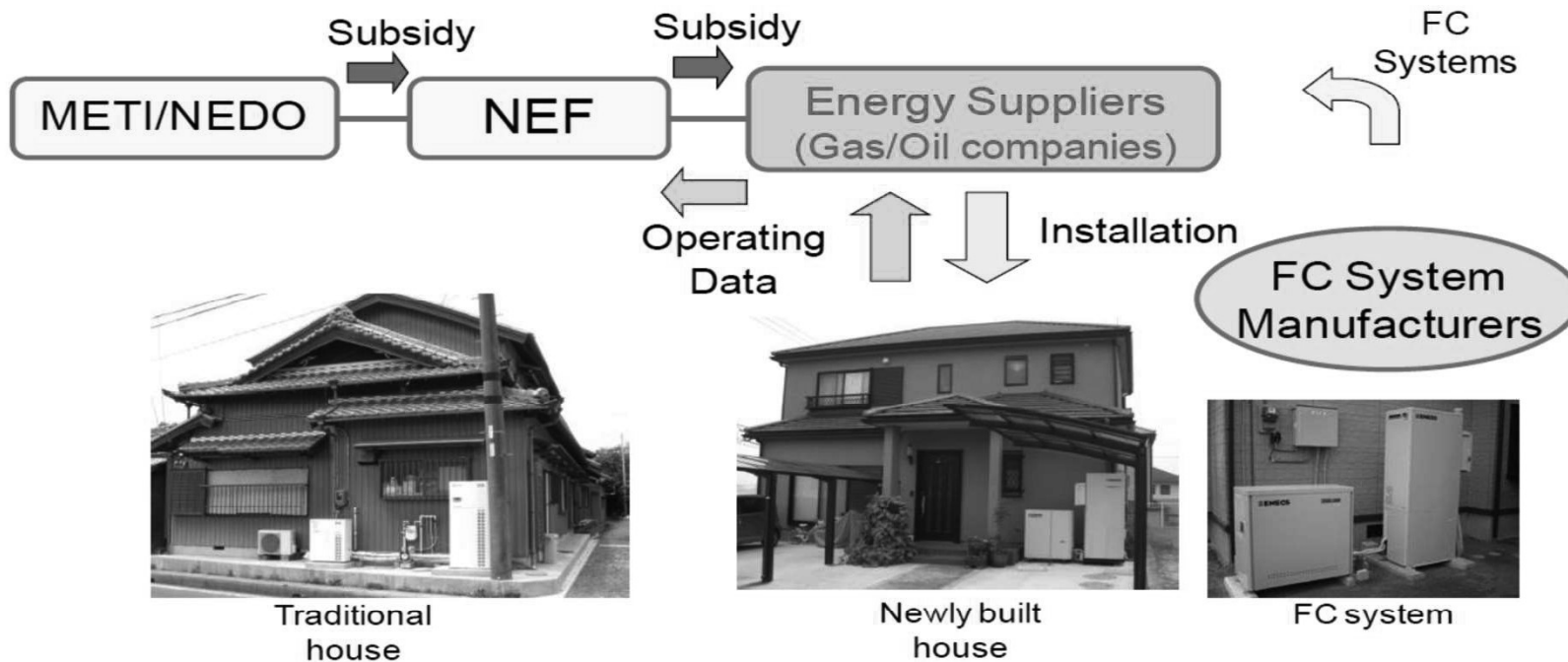




Vandenilio energetikos technologijų demonstracinių projektų pavyzdžiai



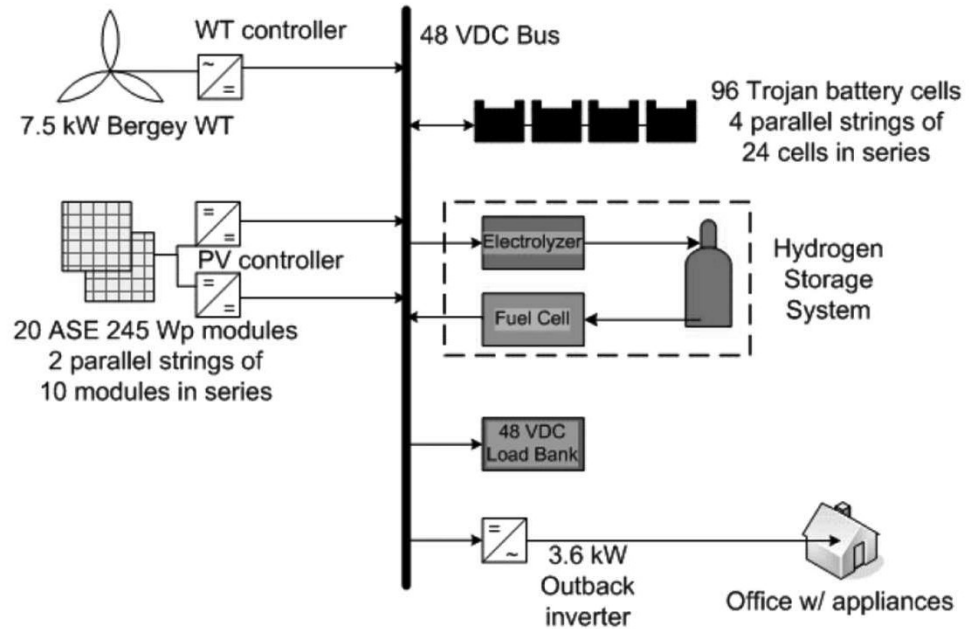
The Large-scale Stationary Fuel Cell Demonstration Project in Japan



- Project Organization, the New Energy Foundation (NEF) provides funding to project operators (energy suppliers such as city gas and oil companies) who will use the funds to purchase residential PEFC systems from fuel cell manufacturers and install and operate them at regular detached houses.



The Hawaii Hydrogen Power Park Demonstration at Kahua Ranch

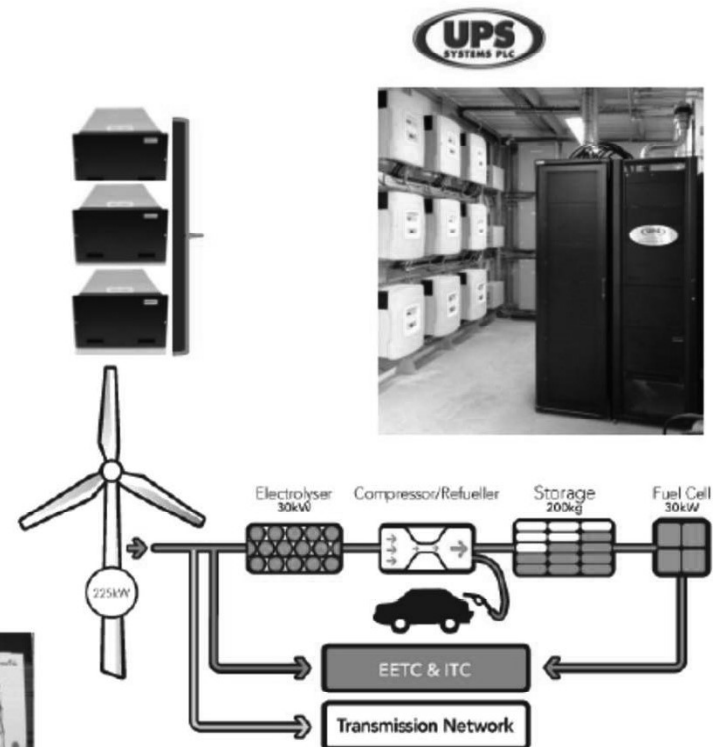


The Hawaii Hydrogen Power Park (HPP) program funded by the US Department of Energy (DOE).



Hydrogen Mini Grid System: Rotherham, Yorkshire

- Hydrogen Mini-Grid System
- Yorkshire Forward's Advanced Manufacturing Park, Environmental Energy Technology Center Rotherham (Sheffield), Yorkshire
- Environmentally-Efficient Building
- UPS Systems PLC: FC Integration, Power Electronics and Control



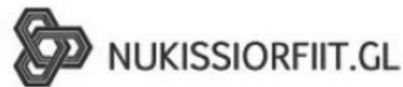
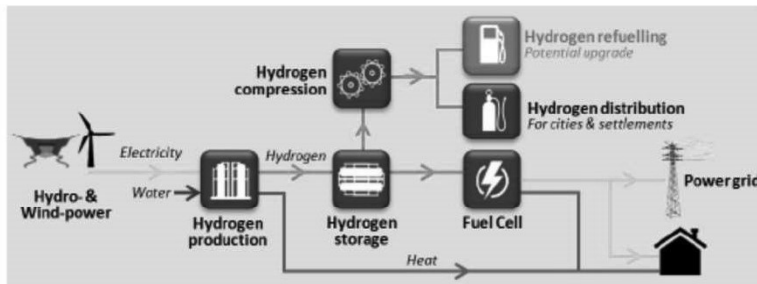
Funded by





H₂KT Project: Nuuk, Greenland

- Nukissiorfiit: Energy Utility, End Client
- H2Logic: System Integration and Project Management



Galia j dujas (Power to Gas: 1 – 20 % H₂ ->CH₄)

Customer Interest

- E.ON and an international gas wholesaler have signed an LoI to jointly cooperate to develop the PtG plant in Falkenhagen
- The system is realized to deliver renewable gas to multiple applications via the gas grid

